



Cobra Moto, LLC

240 Uran Street
Hillsdale, Michigan 49242

(517) 437-9100 phone
(517) 437-9101 fax

January 12, 2017

Pistons for CX65 with 44.5mm Bore TSB1517

From this day forward Cobra will be using a cast pistons for CX65 engines with Ø44.5 mm bore.

This piston is available in each letter sizes of A, B, & C.

There are new part numbers for 2017 piston kits because they do not have holes in the exhaust skirt for lubricating the exhaust bridge.

Part numbers for prior years Ø44.5mm CX65 remain the same except that we no longer stock sizes AB and CD, but only A, B, & C. This affects 2007 – 2009 & 2012 – 2016.

New part numbers are as follows:

Description	Part Number (2017)	Part Number (prior)
Piston kit	ECC60208A (B,C etc)	ECC60184A (B, C etc..)
Rings	ECC60221	ECEX0005
Circlips	ECC60222	ECMUSR00

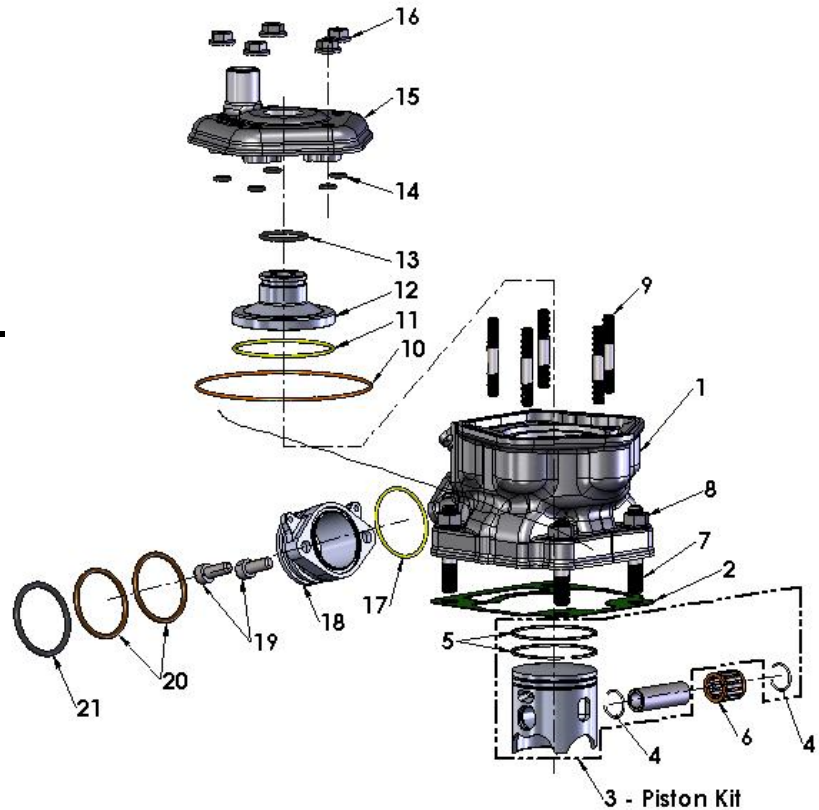
It is not a service replacement part but the wrist pin on the new cast pin is approximately 2mm longer than the wrist pin used with the forged piston.

Also, page 30 of the 2017 CX65 manual has been incorrect up to this time. A corrected version is included with this TSB



Cobra Moto, LLC
 240 Uran Street
 Hillsdale, Michigan 49242

Parts – Engine – Top End



Engine – Top End		
REF #	PART #	DESCRIPTION
1	ECC60357	CYLINDER KIT PV CX65 (INCLUDES PISTON KIT & CYLINDER)
2	ZCC60302	BASE GASKET 0.2mm THICK
2	ZCC60303	BASE GASKET 0.3mm THICK
2	ZCC60304	BASE GASKET 0.4mm THICK
2	ZCC60305	BASE GASKET 0.5mm THICK
2	ZCC60306	BASE GASKET 0.6mm THICK
2	ZCC60307	BASE GASKET 0.7mm THICK
2	ZCC60308	BASE GASKET 0.8mm THICK
3	ECMU0208x	PISTON KIT (x DENOTES PISTON SIZE A,B, or C)
4	ECC60222	SNAP RING FOR PISTON (2 REQ'D)
5	ECC60221	PISTON RINGS 44.5mm (2 PER SET)
6	ECDC0061	BEARING, WRIST PIN
7	ECC60109	STUD, CYLINDER 8mm (4 REQ'D)
8	HCNF0801	M8 FLANGE NUT (4 REQ'D)
9	ECC60107	STUD, CYLINDER 6mm (5 REQ'D)
10	ZCC60009	O-RING – GASKET LARGE PV HEAD OUTER
11	ZCMUOR05	O-RING CYLINDER HEAD MEDIUM - YELLOW
12	ECC60154	CYLINDER HEAD INSERT PV 2013
13	ZCMUOR23	O-RING CYLINDER HEAD SMALL
14	ZCMUOR03	O-RING CYLINDER STUD - YELLOW (5 REQ'D)
15	ECC60149	CYLINDER HEAD OUTER - 2013
16	HCNF0601	M6 FLANGE NUT (5 REQ'D)
17	ZCMUOR07	O-RING, EXHAUST FLANGE TO CYLINDER
18	ECC60064	FLANGE – EXHAUST
19	HCBC0601	M6X16mm SOCKET HEAD CAP SCREW (2 REQ'D)
20	ZCMOTE11	O-RINGS – PIPE TO FLANGE (2 REQ'D)
21	ZCMUOR11	O-RING – PIPE to FLANGE (1 REQ'D)
NOT SHOWN	ZKMUOR13	O-RING KIT – TOP END – CX65 PV